

Z5371
T Flying bracket
Mounting instructions (1.2 EN)

Contents

1. Product description.....	3
Scope of supply.....	3
Technical specification.....	3
2. Intended use.....	4
3. Safety precautions.....	4
General safety.....	4
Load safety information.....	4
4. Assembly.....	5
5. Operation.....	5
Vertical alignment.....	5
Horizontal alignment.....	5
6. Maintenance and care.....	6
Storing/Transport.....	6
Cleaning.....	6
Inspections.....	6
7. Disposal.....	6
Manufacturer's declarations.....	7

General Information

Z5371 T Flying bracket
Mounting instructions

Version 1.2 EN, 04/2011, D2994.EN .01

Copyright © 2011 d&b audiotechnik GmbH; all rights reserved.

Keep this manual with the product or in a safe place so that it is available for future reference.

d&b audiotechnik GmbH
Eugen-Adolff-Strasse 134, D-71522 Backnang, Germany
Telephone +49-7191-9669-0, Fax +49-7191-95 00 00
E-mail: docadmin@dbaudio.com, Internet: www.dbaudio.com

Z5371, T Flying bracket

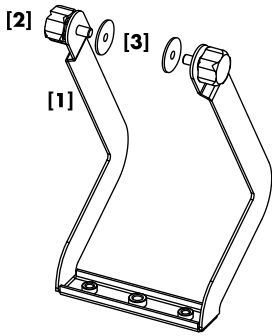


Fig. 1: Z5371 T Flying bracket

1. Product description

Scope of supply

Please verify the shipment for completeness and proper condition of the items.

Qty.	d&b Code	Description
1	Z5371	T Flying bracket [1]
2		Hand bolt M8 x 16 [2]
2		Rubber washer [3]
1	D2994.INT	Mounting instructions

Technical specification

Weight.....1.1 kg (2.4 lb)

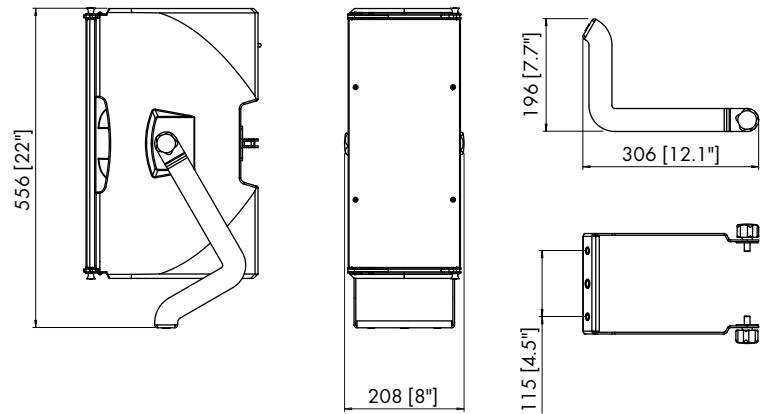


Fig. 2: Dimensions in mm [inch]

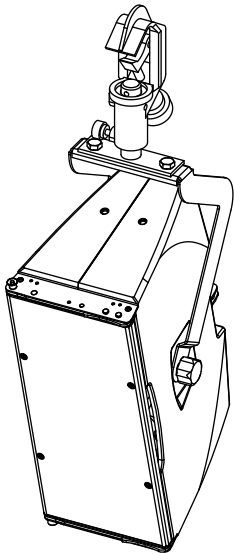


Fig. 3: Z5371 T Flying bracket with Z5010 TV spigot and Z5012 Pipe clamp

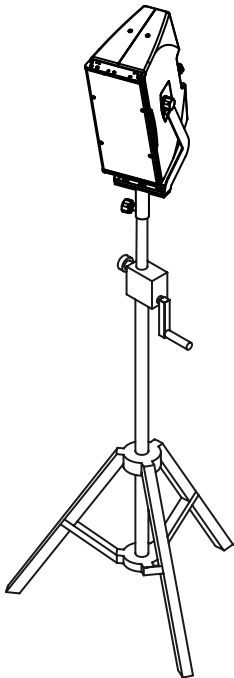


Fig. 4: Z5371 T Flying bracket with Z5024 Loudspeaker stand adapter

2. Intended use

The Z5371 T Flying bracket must only be used in conjunction with d&b T10 loudspeakers as described in these mounting instructions.

Installation and setup should only be carried out by qualified and authorized personnel observing the valid national Rules for the Prevention of Accidents (RPA).

It is the responsibility of the person installing the assembly to ensure that the suspension/fixing points are suitable for the intended use.

The bracket allows T10 loudspeaker cabinets to be mounted and set to different horizontal or vertical angles. For this purpose two M8 threaded inserts at the d&b standard spacing of 115 mm (4.5") together with a center M10 thread are integrated in the tie bar of the bracket to accept additional d&b rigging accessories.

The bracket is designed to fit tightly round the loudspeaker to produce the minimum visual impact.

The bracket can be mounted to bars and trusses with a tube diameter of up to 50 mm (2") using the following d&b accessories:

- Z5010, TV spigot with fixing plate
- Z5029, TV spigot
- Z5012, Pipe clamp for TV spigot

The bracket can be fitted to a loudspeaker stand using the Z5024 or Z5034 Loudspeaker stand adapters.

NOTICE: Observe the maximum permitted load of the additional rigging accessories as stated in the respective mounting instructions.

3. Safety precautions

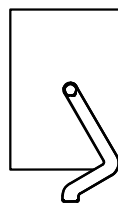
General safety

Always carry out a visual and functional inspection of the bracket before use. In case you have any doubt as to the proper functioning and safety of the bracket, do not use it. Please also refer to section 6. Maintenance and care on page 6.

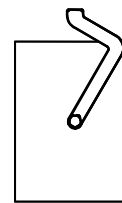
Load safety information

The maximum permitted working load of the bracket is **11 kg (24 lb)** (according to BGV C1) which corresponds to the weight of a single T10 loudspeaker.

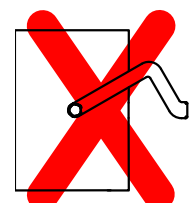
NOTICE: Always align the bracket vertically when using it, whether it is suspended or placed on top of a loudspeaker stand.



Right



Right



WRONG

4. Assembly

Note: Make sure that the horn of the T10 cabinet is configured as a point source.

The bracket is locked in place on each side of the cabinet using the two hand bolts [2].

NOTICE: Please do not use other fixing screws than those supplied and specified.
Ensure the two rubber washers [3] are inserted between the bracket and the cabinet.

No tools required.

1. Fit the bracket [1] from the rear of the loudspeaker into the recessed areas of the cabinet side panels.
2. Fix the bracket to the cabinet using the two M10 hand bolts [2].

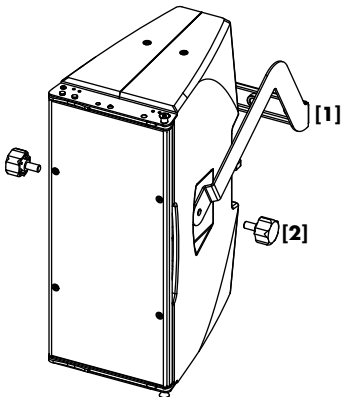


Fig. 5: Assembly

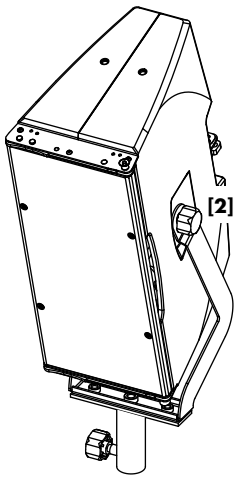


Fig. 6: Operation

5. Operation

Vertical alignment

1. Slacken the hand bolts [2].
2. Set the cabinet to the desired vertical angle.
3. Retighten the hand bolts.

Horizontal alignment

The loudspeaker is aligned horizontally via the Loudspeaker stand adapter or the TV spigot mounting.

6. Maintenance and care

Storing/Transport

The surface treatment temporarily protects the Flying bracket against moisture. However, ensure the bracket is in a dry state when storing and transporting it.

During transport ensure the bracket is not stressed or damaged by mechanical forces. Use suitable transport cases.

Cleaning

Regularly clean and lubricate the Flying bracket using WD-40® or a similar product.

Inspections

To eliminate the potential risk of accident due to malfunctioning of the bracket, regularly carry out a visual and functional inspection of the bracket.

If the bracket fails to operate correctly and/or safely, it must be withdrawn from use immediately.

Carry out a visual inspection of the bracket for obvious deformation and damage (e.g. cracks and corrosion).

Carry out a visual inspection of the weld strength and the threaded inserts in the tie bar of the bracket for damage (e.g. cracks and corrosion).

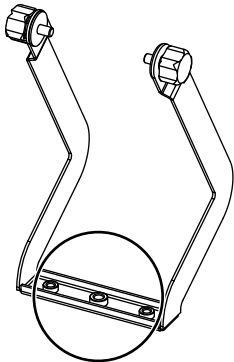


Fig. 7: Threaded inserts in the tie bar

7. Disposal

Please dispose of this product according to the respective national regulations.

Ensure that damaged rigging components are disposed of so that they cannot be used again.

Manufacturer's declarations

EC Declaration of conformity

within the meaning of the EC Machine Directive 98/37/EEC.

We hereby declare that the equipment designated below is designed and built in the version sold by us in such a way as to comply with the relevant fundamental safety and health criteria of the applicable EC Directive(s). This declaration shall cease to be valid if alterations are made to the equipment without our prior agreement.

This declarations covers:


d&b T Flying bracket, Z5371

To be used as described in these mounting instructions.

National standards and technical specifications applied:

DIN EN ISO 12100, BGV C1

Backnang, December 3, 2008



Frank Bothe
Managing Director

